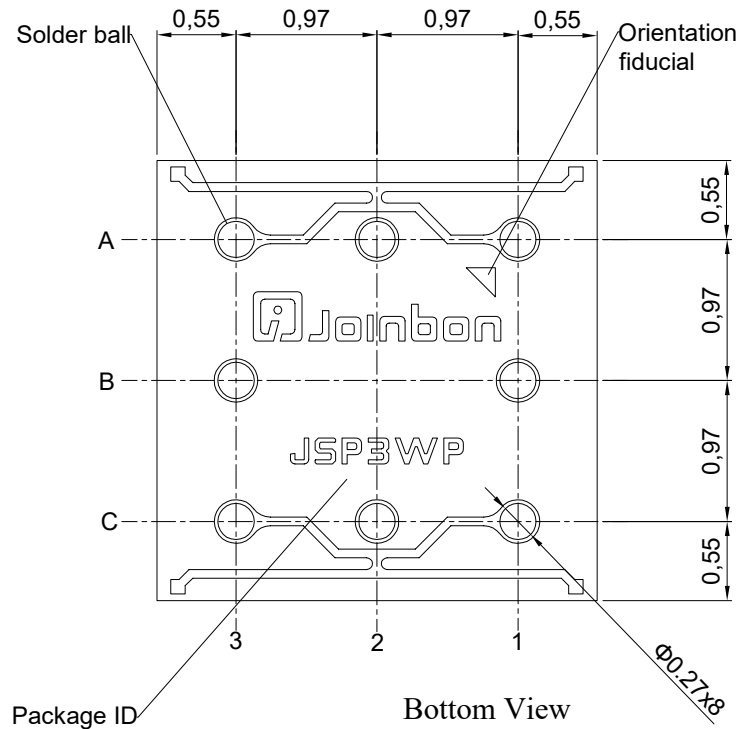
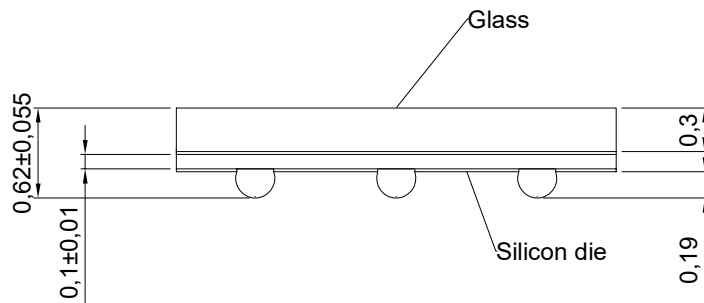


Top View



Bottom View



Side View

Pin Connection Scheme	
Pin No.	Connection
A1,A3	Anode
C1,C3	Cathode

Joinbon Technology Co., Ltd. (Hubei)		PROJ.	
TITLE:	PACKAGE OUTLINE JSP3WP 3.03 X 3.03 X 0.62 MM	DWG. NO.	REV.
		---	---
		SHEET	SIZE
	1 of 1	A4	
UNIT	DIMENSION AND TOLERANCES	REFERENCE DOCUMENT	
MM		---	