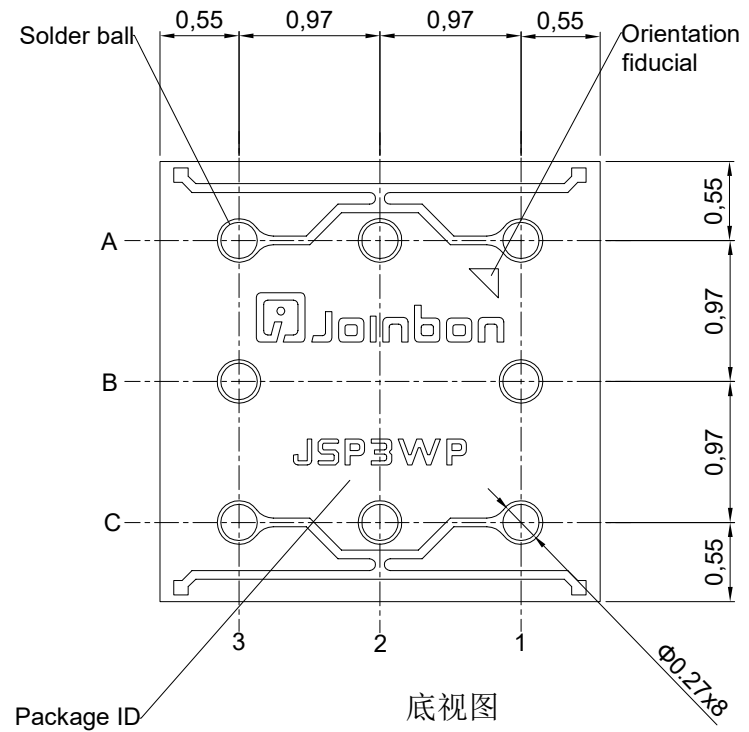
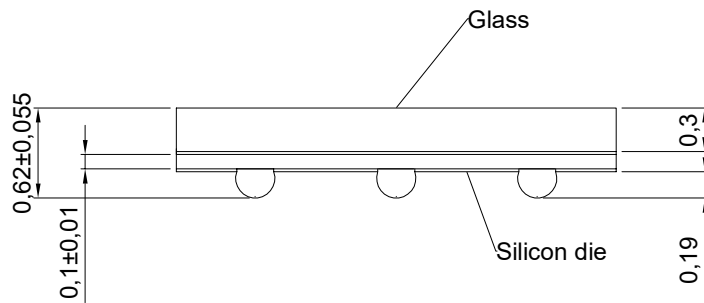


顶视图



底视图



侧视图

Pin Connection Scheme	
Pin No.	Connection
A1,A3	Anode
C1,C3	Cathode

Joinbon Technology Co., Ltd. (Hubei)		PROJ.	
TITLE:	PACKAGE OUTLINE JSP3WP 3.03 X 3.03 X 0.62 MM	DWG. NO.	REV.
		SHEET	SIZE
		1 of 1	A4
UNIT	DIMENSION AND TOLERANCES	REFERENCE DOCUMENT	
MM		---	